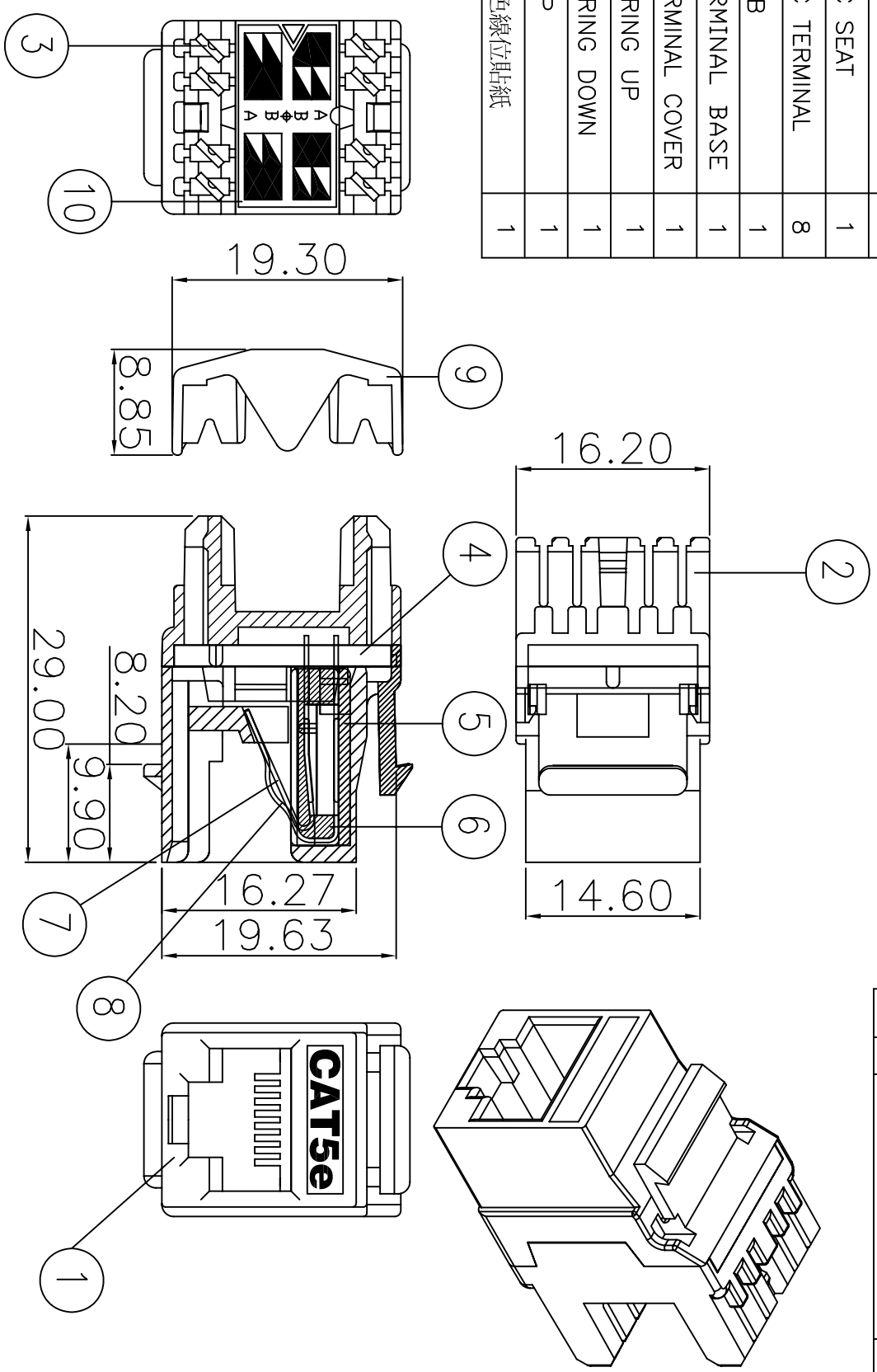


No#	Description	Q'TY
①	JACK HOUSING	1
②	IDC SEAT	1
③	IDC TERMINAL	8
④	PCB	1
⑤	TERMINAL BASE	1
⑥	TERMINAL COVER	1
⑦	SPRING UP	1
⑧	SPRING DOWN	1
⑨	CAP	1
⑩	彩色線位貼紙	1



REVISIONS			
ZONE	REV	DESCRIPTION	DATE
	A		

EUROLAN

KEYSTONE JACK

UNLESS OTHERWISE SPECIFIED:		PROJECT ID	
INCH	TOLERANCES	16B-U5-03BL	
.XX ± .016	MM	FILE	DATE
.XX ± .008	.XX ± 0.2	DRAWN	
.XXX ± .004	.X ± .1	CHECK	
		APPROVED	
MATERIAL		DRAWN Winnie	
SURFACE		CHECK	
FINISH		APPROVED	
TITLE		SCALE	
KEYSTONE JACK		1 : 1	
SIZE	DRAWING NUMBER	PART NUMBER	REV
A4			A
SCALE	UNIT	SHEET	
1 : 1	MM	1 OF 1	

NTOE:

- 1. PACKAGING: 1 PC / bag, 20 PCS / Eurolan box
- Eurolan box size: 212 X 124 X 91 mm
- 24 PCS Eurolan box / Eurolan carton
- Eurolan carton size: 515 X 503 X 230 mm