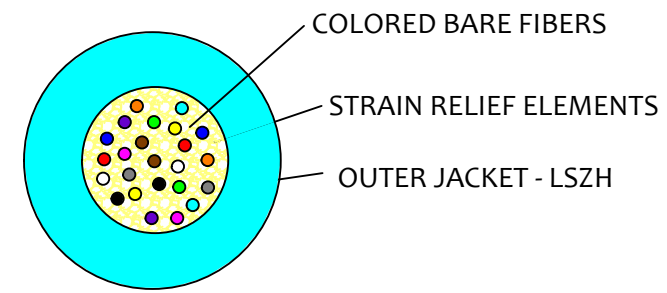


PRODUCT NUMBER:	L[m]	CONN 1	CONN 2	WIRING LAYOUT	FIBER TYPE	CABLE JACKET COLOUR	MTP CONNECTOR HOUSING / BOOT COLOUR
43M-S2-24-M2-M2-XXX-FFA-10	$L \pm \begin{smallmatrix} 0,XX \\ 0 \end{smallmatrix}$	MTP(F)/APC	MTP(F)/APC	POLARITY A	OS2	YELLOW	GREEN / BLACK
43M-S2-24-M2-M2-XXX-FFB-10	$L \pm \begin{smallmatrix} 0,XX \\ 0 \end{smallmatrix}$	MTP(F)/APC	MTP(F)/APC	POLARITY B	OS2	YELLOW	GREEN / BLACK
43M-S2-24-M2-M2-XXX-FFX-10	$L \pm \begin{smallmatrix} 0,XX \\ 0 \end{smallmatrix}$	MTP(F)/APC	MTP(F)/APC	POLARITY X	OS2	YELLOW	GREEN / BLACK
43M-30-24-M2-M2-XXX-FFA-10	$L \pm \begin{smallmatrix} 0,XX \\ 0 \end{smallmatrix}$	MTP(F)/PC	MTP(F)/PC	POLARITY A	OM3	AQUA	AQUA / BLACK
43M-30-24-M2-M2-XXX-FFB-10	$L \pm \begin{smallmatrix} 0,XX \\ 0 \end{smallmatrix}$	MTP(F)/PC	MTP(F)/PC	POLARITY B	OM3	AQUA	AQUA / BLACK
43M-30-24-M2-M2-XXX-FFC-10	$L \pm \begin{smallmatrix} 0,XX \\ 0 \end{smallmatrix}$	MTP(F)/PC	MTP(F)/PC	POLARITY C	OM3	AQUA	AQUA / BLACK
43M-30-24-M2-M2-XXX-FFX-10	$L \pm \begin{smallmatrix} 0,XX \\ 0 \end{smallmatrix}$	MTP(F)/PC	MTP(F)/PC	POLARITY X	OM3	AQUA	AQUA / BLACK
43M-40-24-M2-M2-XXX-FFA-10	$L \pm \begin{smallmatrix} 0,XX \\ 0 \end{smallmatrix}$	MTP(F)/PC	MTP(F)/PC	POLARITY A	OM4	MAGENTA	MAGENTA / BLACK
43M-40-24-M2-M2-XXX-FFB-10	$L \pm \begin{smallmatrix} 0,XX \\ 0 \end{smallmatrix}$	MTP(F)/PC	MTP(F)/PC	POLARITY B	OM4	MAGENTA	MAGENTA / BLACK
43M-40-24-M2-M2-XXX-FFC-10	$L \pm \begin{smallmatrix} 0,XX \\ 0 \end{smallmatrix}$	MTP(F)/PC	MTP(F)/PC	POLARITY C	OM4	MAGENTA	MAGENTA / BLACK
43M-40-24-M2-M2-XXX-FFX-10	$L \pm \begin{smallmatrix} 0,XX \\ 0 \end{smallmatrix}$	MTP(F)/PC	MTP(F)/PC	POLARITY X	OM4	MAGENTA	MAGENTA / BLACK

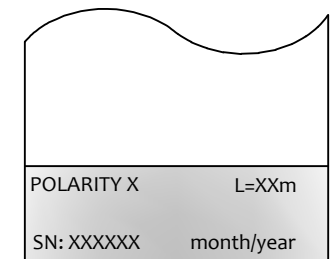
XXXX in the PN represents length of assembly and varies for each length

LENGTH TOLERANCE	
Length interval(m)	Tolerance(m)
0 - 0,99	+ 0,06 - 0
1 - 7,99	+ 0,11 - 0
8 - 19,99	+ 0,18 - 0
20 - 49,99	+ 0,23 - 0
50 - 99,99	+ 0,50 - 0
100 - 199,99	+ 1,00 - 0
200 - 299,99	+ 1,50 - 0
> 300	+ 3,00 - 0

### CABLE PROFILE VIEW



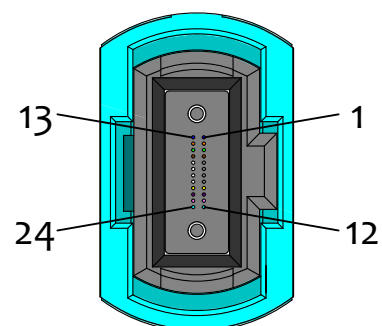
### TRACEABILITY LABEL (POS. 7)



BOM		
NO:	DESCRIPTION	QTY
1.	MTP(F) CONNECTOR	2
2.	ROUND CABLE Ø 3.8mm , 24 Fibers	L
3.	TRACEABILITY LABEL	2

- NOTES :
- 1 - DUST CAPS ARE INCLUDED, BUT NOT SHOWN
  - 2 - CUMULATIVE TEST REPORT OF MEASURED IL AND RL VALUES SENT ON DEMAND IN ELECTRONIC FORM
  - 3 - OM3, OM4 - IL<0.35dB , RL>20dB , 850nm & 1300nm  
OS2 - IL<0.5dB , RL>50dB , 1310nm & 1550nm
  - 4 - VISUAL ASPECT CHECK ACCORDING TO IEC 61300-3-35  
END FACE GEOMETRY ACCORDING TO TELCORDIA GR-1435
  - 5 - ASSEMBLY WITH LENGTH BELOW 50MTRS PACKED IN SEALED PE BAG,  
BULK PACK IN OUTER CARDBOARD BOX  
LONGER ASSEMBLY THEN 50MTRS COILED ON CARDBOARD REEL,  
INSERTED IN CARDBOARD BOX ACCORDING TO EUROLAN SPECIFICATION
  - 6 - EUROLAN-CL\_1 LABEL ON PRODUCT PACKAGING AND OUTER CARDBOARD BOX

### VIEW A



REVISION-DATE: A - 20.04.2017	CHANGE:	DRAWN BY, DATE: P.Gašpár 2017/04/20	TITLE: 01x 24F MTP(F) to 01x 24F MTP(F) 24-fiber trunk cable		
NEW DRAWING		CHECKED BY, DATE: Pavlov/Matuš			
REVISION-DATE: X - DD.MM.YYYY	CHANGE:	APPROVED BY, DATE: I.Brestovanská	PRODUCT SPECIFICATION: -	DIMENSIONS IN MM UNLESS SPECIFIED	SCALE: NO SCALE
XXX		<b>EUROLAN</b>	PRODUCT NUMBER: SEE TABLE	DRAWING NUMBER: TBD	SHEET NO. 1 of 1
REVISION-DATE: X - DD.MM.YYYY	CHANGE:	A	SIZE A3		
XXX					