

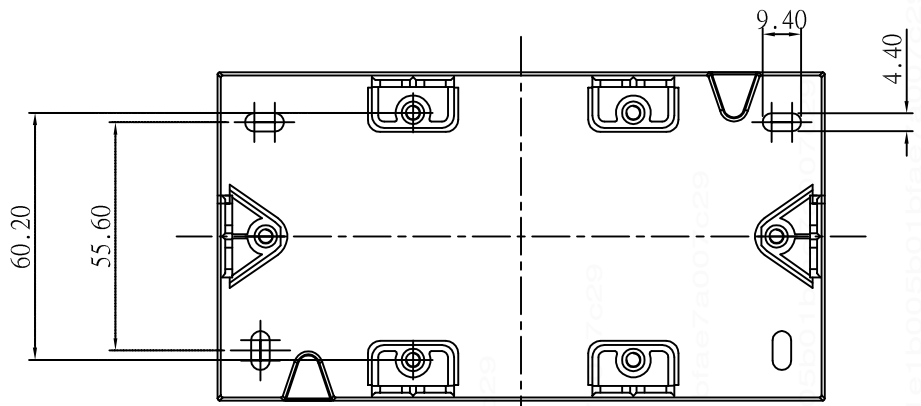
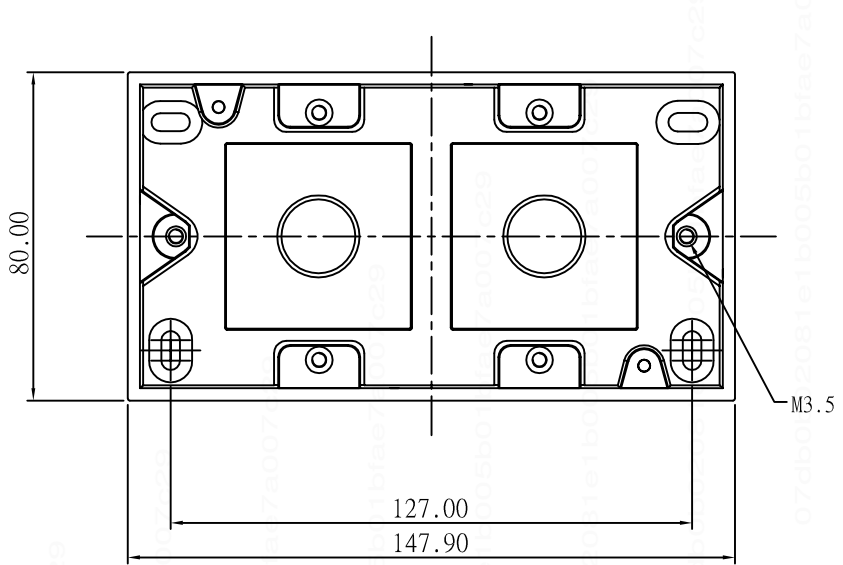
4

3

2

1

REVISIONS				
ZONE	REV	DESCRIPTION	DATE	DRAWN



UNLESS OTHERWISE SPECIFIED: TOLERANCES		PROJECT ID 12A-00-04WT		<b>EUROLAN</b>		
INCH	MM	ANGULAR	FILE			DATE
.X ± .016	.X ± 0.2	X ± 1°	TITLE BACK BOX,SURFACE MOUNT, 147.9x80			
.XX ± .008	.XX ± 0.1	.X ± .5°				
.XXX ± .004						
MATERIAL	DRAWN		SIZE	DRAWING NUMBER	PART NUMBER	REV
SURFACE	CHECK		SCALE	UNIT	SHEET	
FINISH	APPROVED					