

4

3

2

1

REVISIONS				
ZONE	REV	DESCRIPTION	DATE	DRAWN

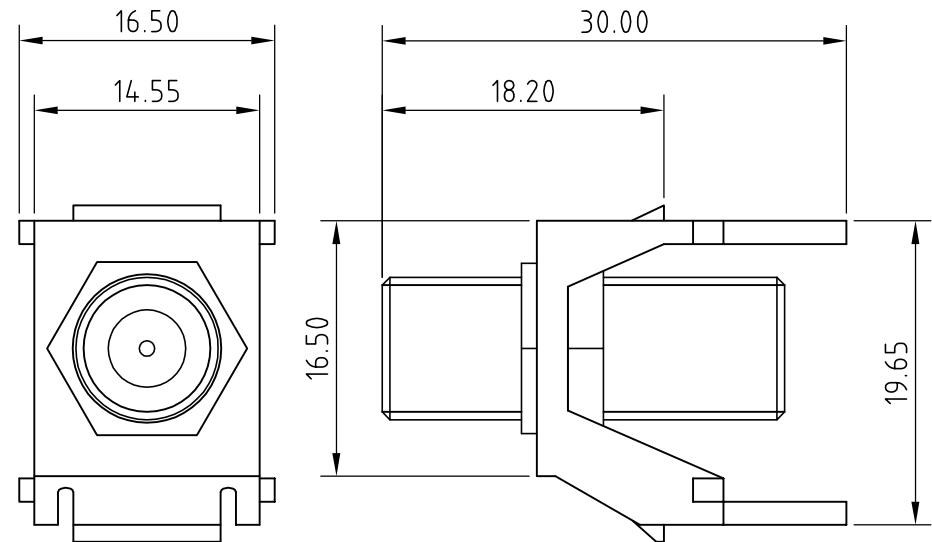
NOTES:

MATERIAL:

- HOUSING: Brass, Nickel Plating.
- SEIZING PIN: 360 Degree Beryllium Bronze With Gold Plating. Accept Center Conductors That Range from 0.64mm to 1.07mm in Diameter.
- INSULATOR: Dielectric Made of Nylon, Color to be White.
- NUT: Iron Plated With Nickel Over Copper.
- PLASTIC MATERIAL: ABS 94V-0.

GENERAL SPECIFICATIONS:

- FREQUENCY RANGE: DC- 3 GHz.
- INSERTION LOSS: < 0.2 dB.
- RETURN LOSS: > 30 dB.
- CONTACT RESISTANCE: < 4 Milliohms.
- HOLDING FORCE: > 160 Grams (Initial)
> 120 Grams (After Insertion)
- Housing Shall Support 2.2 Kg Force Minimum Applied to Insulator From Either Direction.
- ENVIRONMENTS:
TEMPERATURE: -40°C to 65°C
RELATIVE HUMIDITY: 0% to 93%



UNLESS OTHERWISE SPECIFIED: TOLERANCES		PROJECT ID	EUROLAN	
DECIMAL	ANGULAR	16B-FT-01WT	TITLE	
~20 ±0.1mm	±0°50'	FILE	Module F-type keystone 3 GHz	
OVER 20~60 ±0.15mm		DATE	SIZE	DRAWING NUMBER
OVER 60~ ±0.2mm			PART NUMBER	REV
MATERIAL	DRAWN		SCALE	1:1
SURFACE	CHECK		UNIT	mm
FINISH	APPROVED		SHEET	